

Lounge chair

This engineering drawing is the property of Rui Ya Furnishing Co.,Ltd, and may not be reproduced without written permission. Unauthorized use of the information contained in this drawing is strictly forbidden.

ITEM NUMBER: TH-1001

ITEM SIZE: 32" x 26" x 35"H

MATERIAL: Metal + Cushion

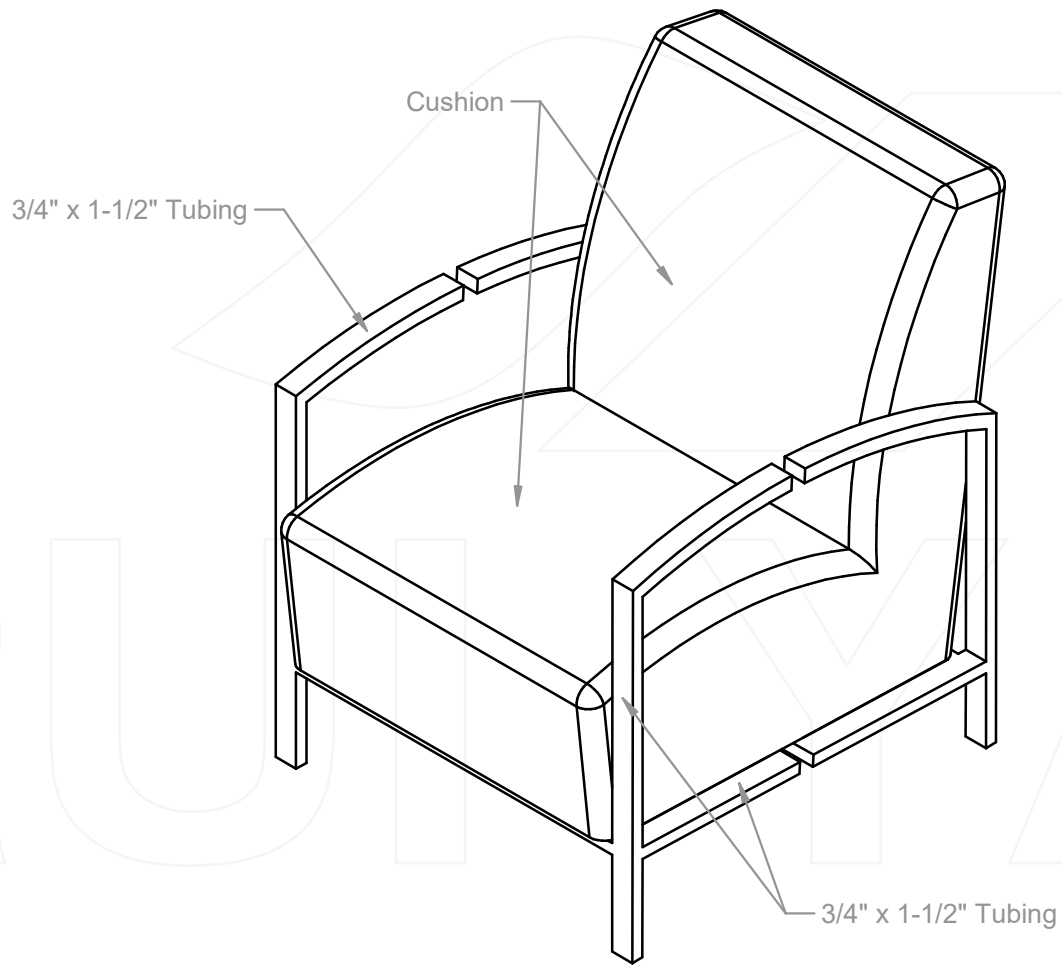
DRAWN BY: Roy Luo

DATE: 2020/9/27

SHEET: 1 OF 3

PROJECT: TH

SUPPLIER:



ISOMETRIC VIEW



Lounge chair

This engineering drawing is the property of Rui Ya Furnishing Co.,Ltd, and may not be reproduced without written permission. Unauthorized use of the information contained in this drawing is strictly forbidden.

ITEM NUMBER: TH-1001

ITEM SIZE: 32" x 26" x 35"H

MATERIAL: Metal + Cushion

DRAWN BY: Roy Luo

DATE: 2020/9/27

SHEET: 2 OF 3

PROJECT: TH

SUPPLIER:



Lounge chair

This engineering drawing is the property of Rui Ya Furnishing Co.,Ltd, and may not be reproduced without written permission. Unauthorized use of the information contained in this drawing is strictly forbidden.

ITEM NUMBER: TH-1001

ITEM SIZE: 32" x 26" x 35"H

MATERIAL: Metal + Cushion

DRAWN BY: Roy Luo

DATE: 2020/9/27

SHEET: 3 OF 3

PROJECT: TH

SUPPLIER: