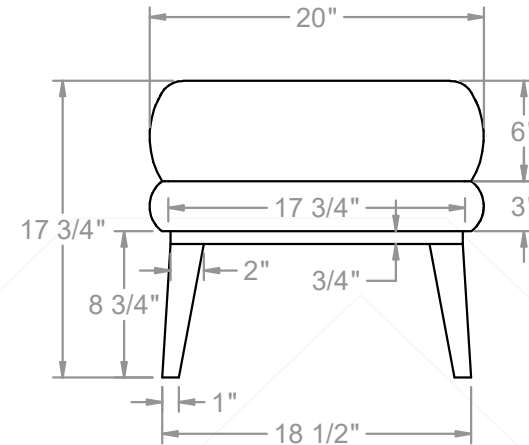
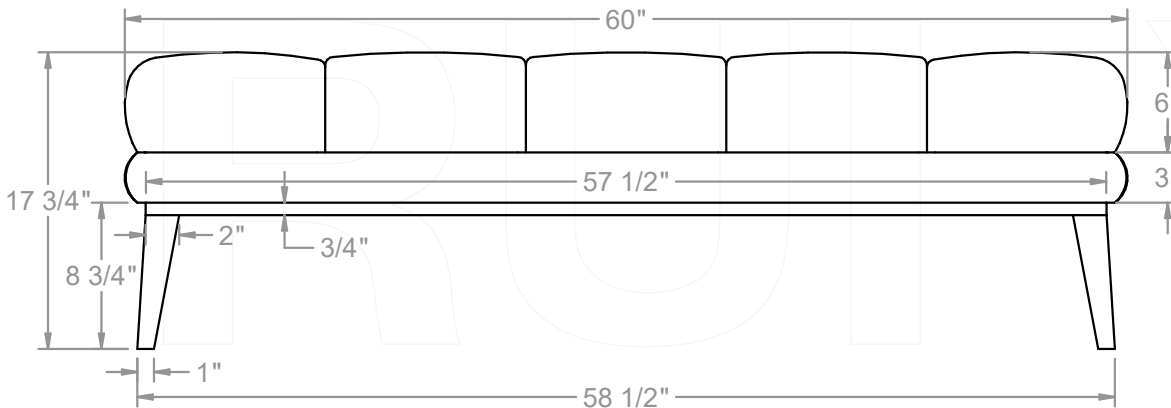


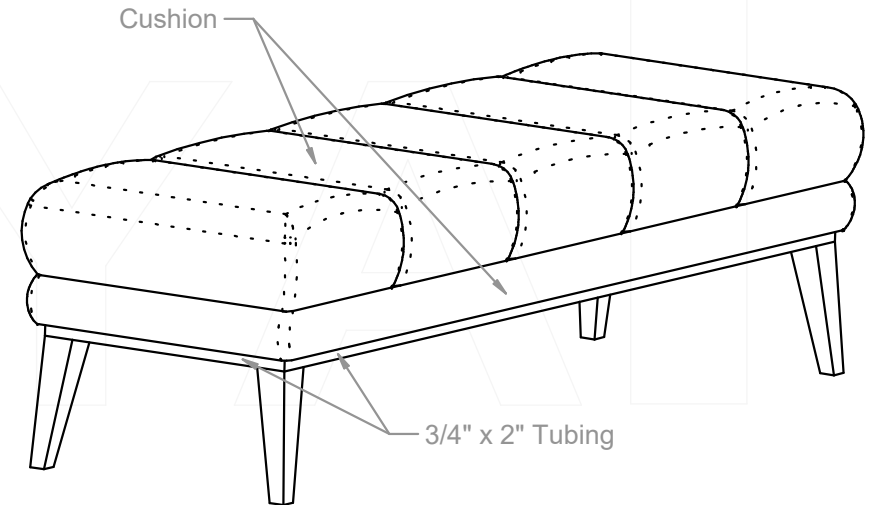
TOP VIEW



SIDE VIEW



FRONT VIEW



ISOMETRIC VIEW



Bench

This engineering drawing is the property of Rui Ya Furnishing Co.,Ltd, and may not be reproduced without written permission. Unauthorized use of the information contained in this drawing is strictly forbidden.

ITEM NUMBER: TH-1101

ITEM SIZE: 60" x 20" x 17-3/4"H

MATERIAL: Metal + Cushion

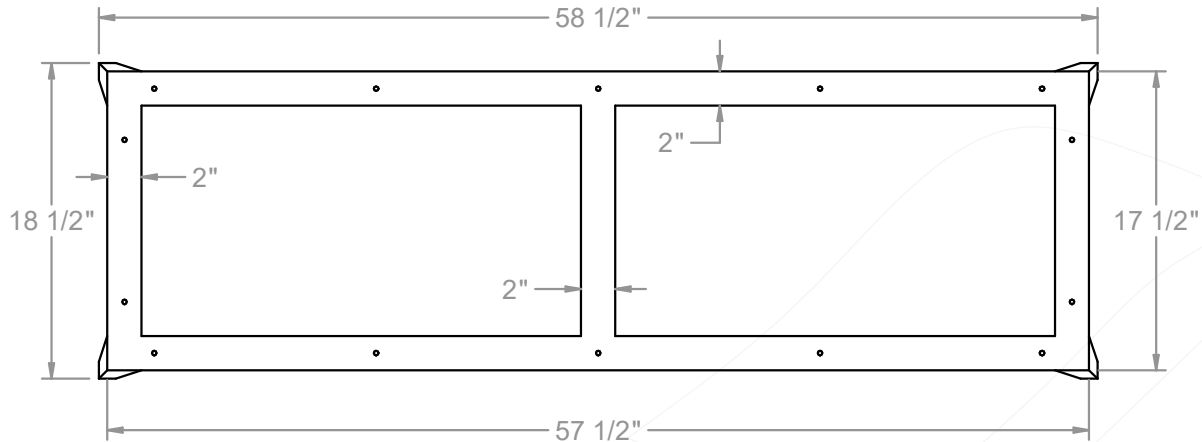
DRAWN BY: Roy Luo

DATE: 2020/9/29

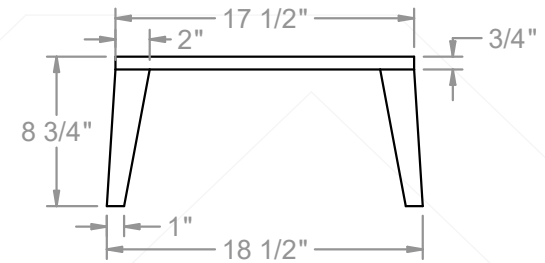
SHEET: 1 OF 3

PROJECT: TH

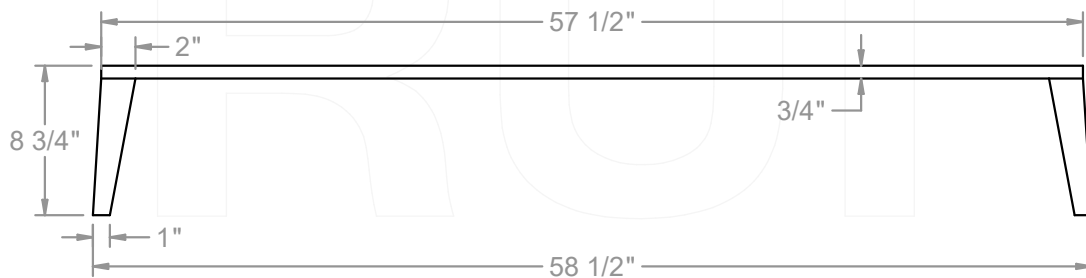
SUPPLIER:



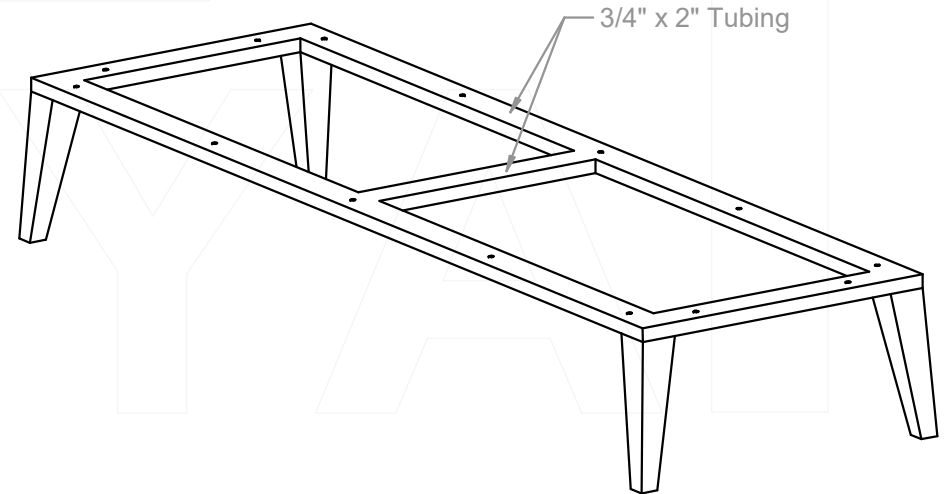
TOP VIEW



SIDE VIEW



FRONT VIEW



ISOMETRIC VIEW



Bench

This engineering drawing is the property of Rui Ya Furnishing Co.,Ltd, and may not be reproduced without written permission. Unauthorized use of the information contained in this drawing is strictly forbidden.

ITEM NUMBER: TH-1101

ITEM SIZE: 60" x 20" x 17-3/4"H

MATERIAL: Metal + Cushion

DRAWN BY: Roy Luo

DATE: 2020/9/29

SHEET: 2 OF 3

PROJECT: TH

SUPPLIER:



Bench

This engineering drawing is the property of Rui Ya Furnishing Co.,Ltd, and may not be reproduced without written permission. Unauthorized use of the information contained in this drawing is strictly forbidden.

ITEM NUMBER: TH-1101

ITEM SIZE: 60" x 20" x 17-3/4"H

MATERIAL: Metal + Cushion

DRAWN BY: Roy Luo

DATE: 2020/9/29

SHEET: 3 OF 3

PROJECT: TH

SUPPLIER: