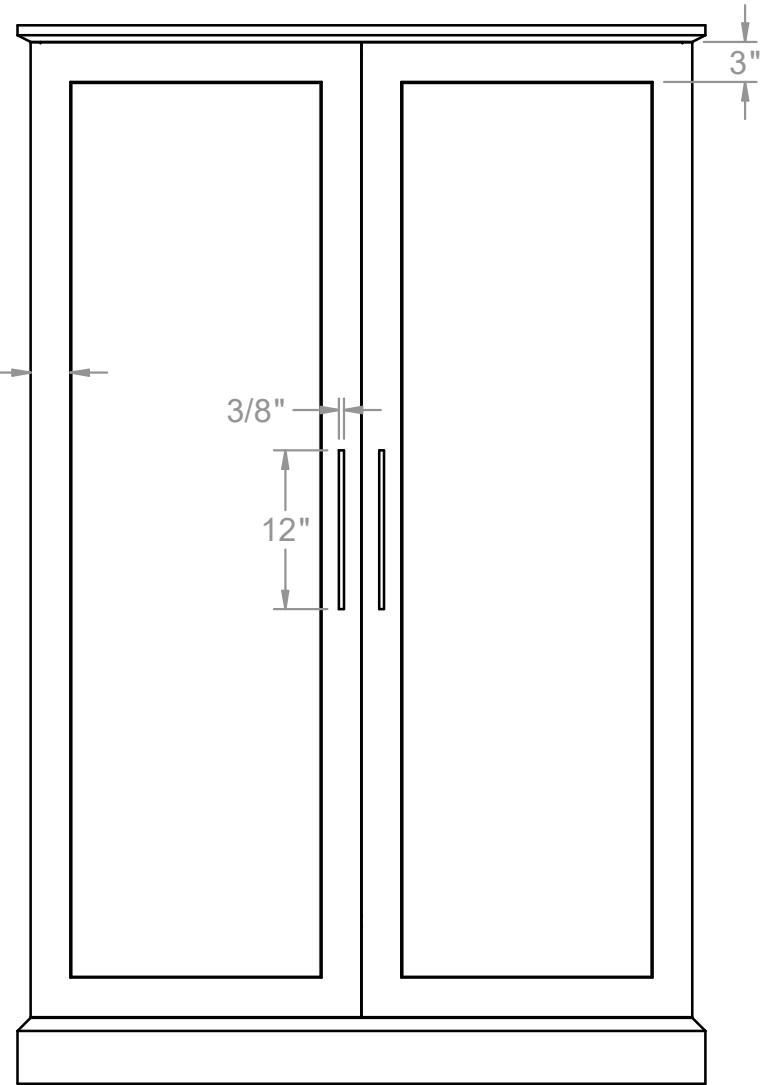
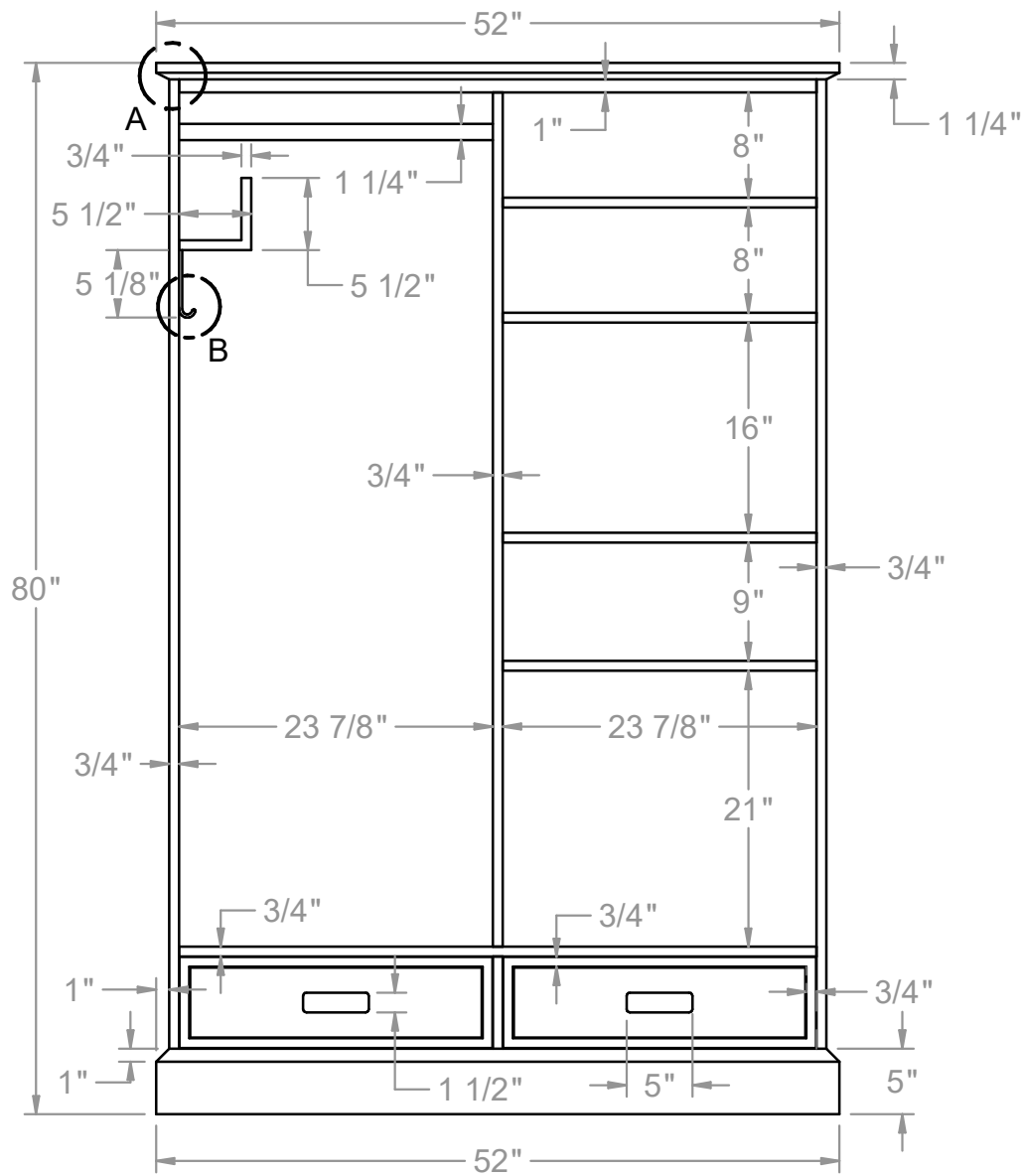


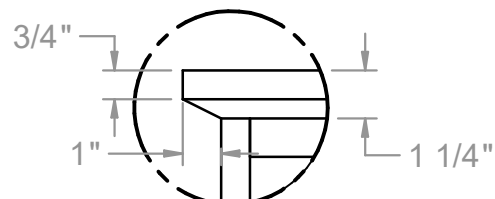
TOP VIEW

Wardrobe		TH-2001		SHEET:	1 of 5
ITEM SIZE:	52" x 24" x 80"H				
MATERIAL:	Wood + Metal				
PROJECT:	TH				
DRAWN BY:	Roy Luo	DATE:	2020/9/28		
AUDIT:		DATE:			

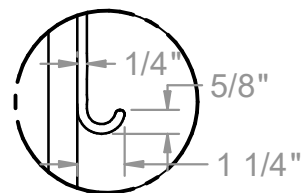




FRONT VIEW



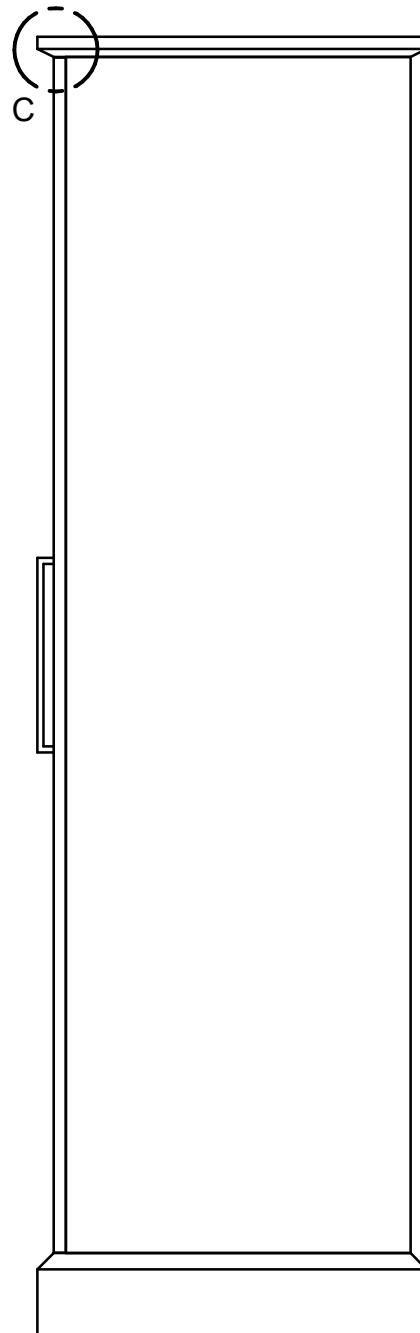
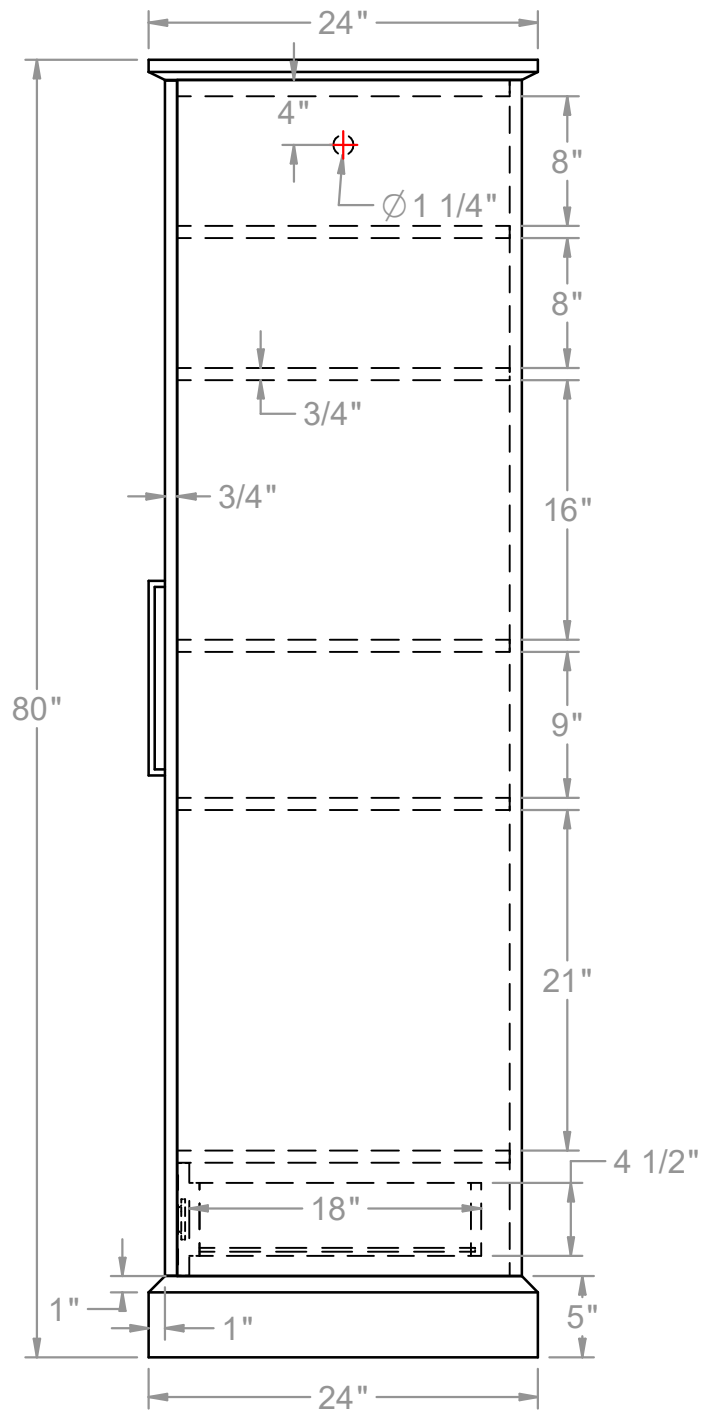
DETAIL A



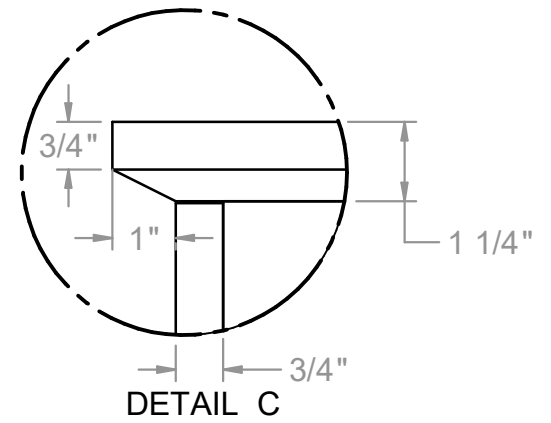
DETAIL B

Wardrobe		TH-2001		SHEET:	2 of 5
ITEM SIZE:	52" x 24" x 80"H				
MATERIAL:	Wood + Metal				
PROJECT:	TH				
DRAWN BY:	Roy Luo	DATE:	2020/9/28		
AUDIT:		DATE:			

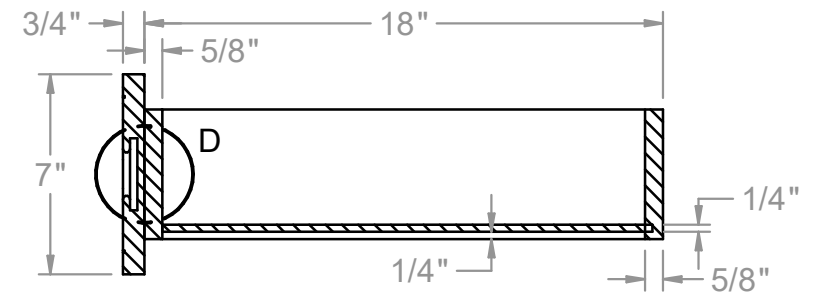




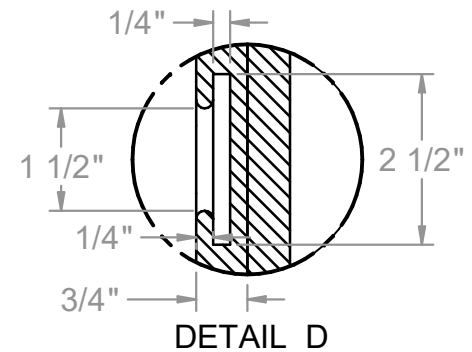
SIDE VIEW



DETAIL C



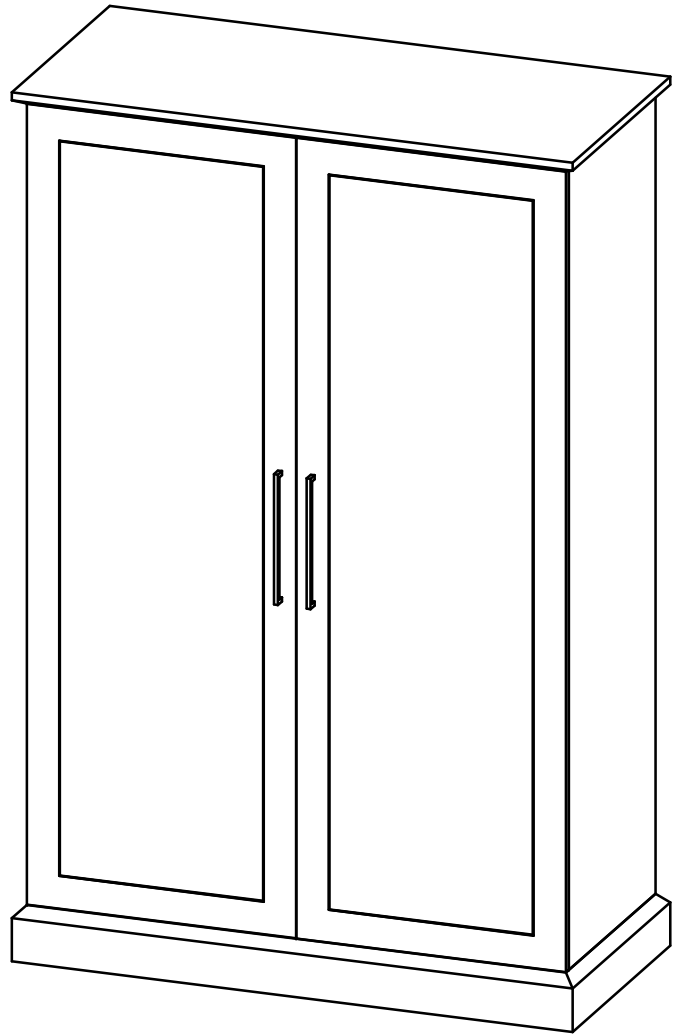
SECTION VIEW OF DRAWER



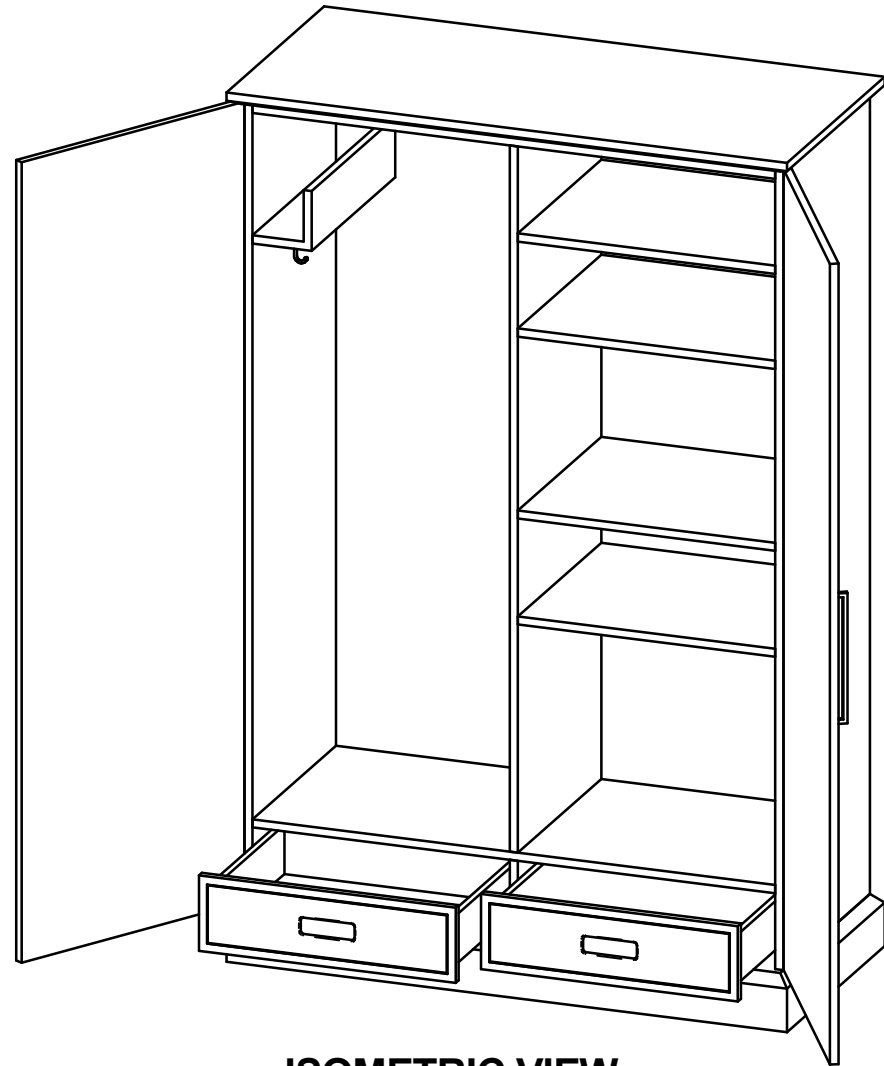
DETAIL D

Wardrobe		TH-2001		SHEET:	3 of 5
ITEM SIZE:	52" x 24" x 80"H				
MATERIAL:	Wood + Metal				
PROJECT:	TH				
DRAWN BY:	Roy Luo	DATE:	2020/9/28		
AUDIT:		DATE:			





ISOMETRIC VIEW



ISOMETRIC VIEW

Wardrobe		TH-2001		SHEET:	4 of 5
ITEM SIZE:	52" x 24" x 80"H				
MATERIAL:	Wood + Metal				
PROJECT:	TH				
DRAWN BY:	Roy Luo	DATE:	2020/9/28		
AUDIT:		DATE:			





Wardrobe		TH-2001		SHEET:	5 of 5
ITEM SIZE:	52" x 24" x 80"H				
MATERIAL:	Wood + Metal				
PROJECT:	TH				
DRAWN BY:	Roy Luo	DATE:	2020/9/28		
AUDIT:		DATE:			

