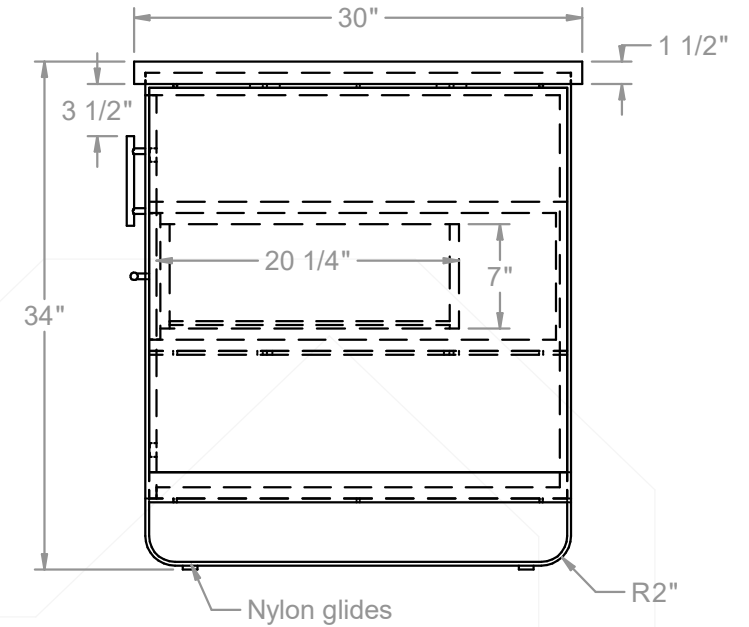
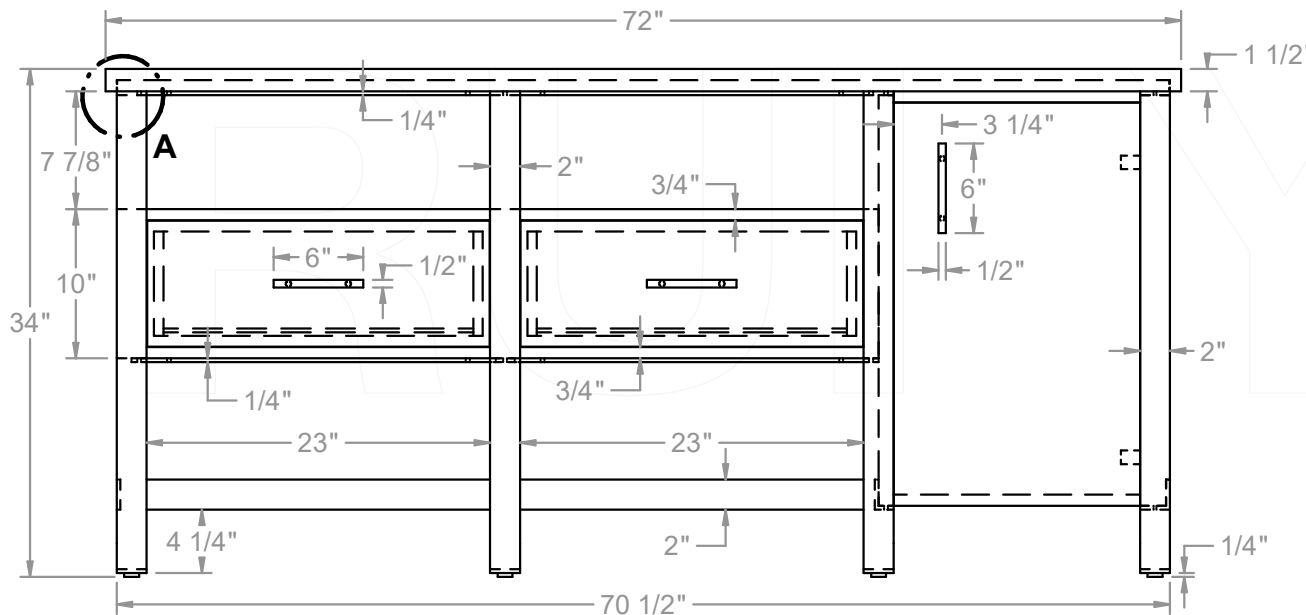


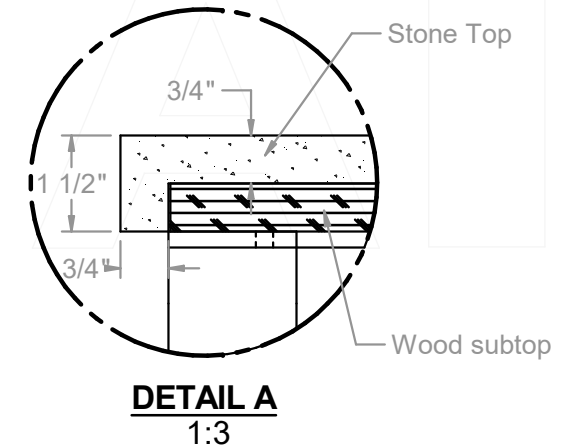
**TOP VIEW**



**SIDE VIEW**



**FRONT VIEW**



**DETAIL A**  
1:3



Desk

This engineering drawing is the property of Rui Ya Furnishing Co.,Ltd, and may not be reproduced without written permission. Unauthorized use of the information contained in this drawing is strictly forbidden.

ITEM NUMBER: TH-5001

ITEM SIZE: 72" x 30" x 34"H

MATERIAL: Metal + Wood + Stone

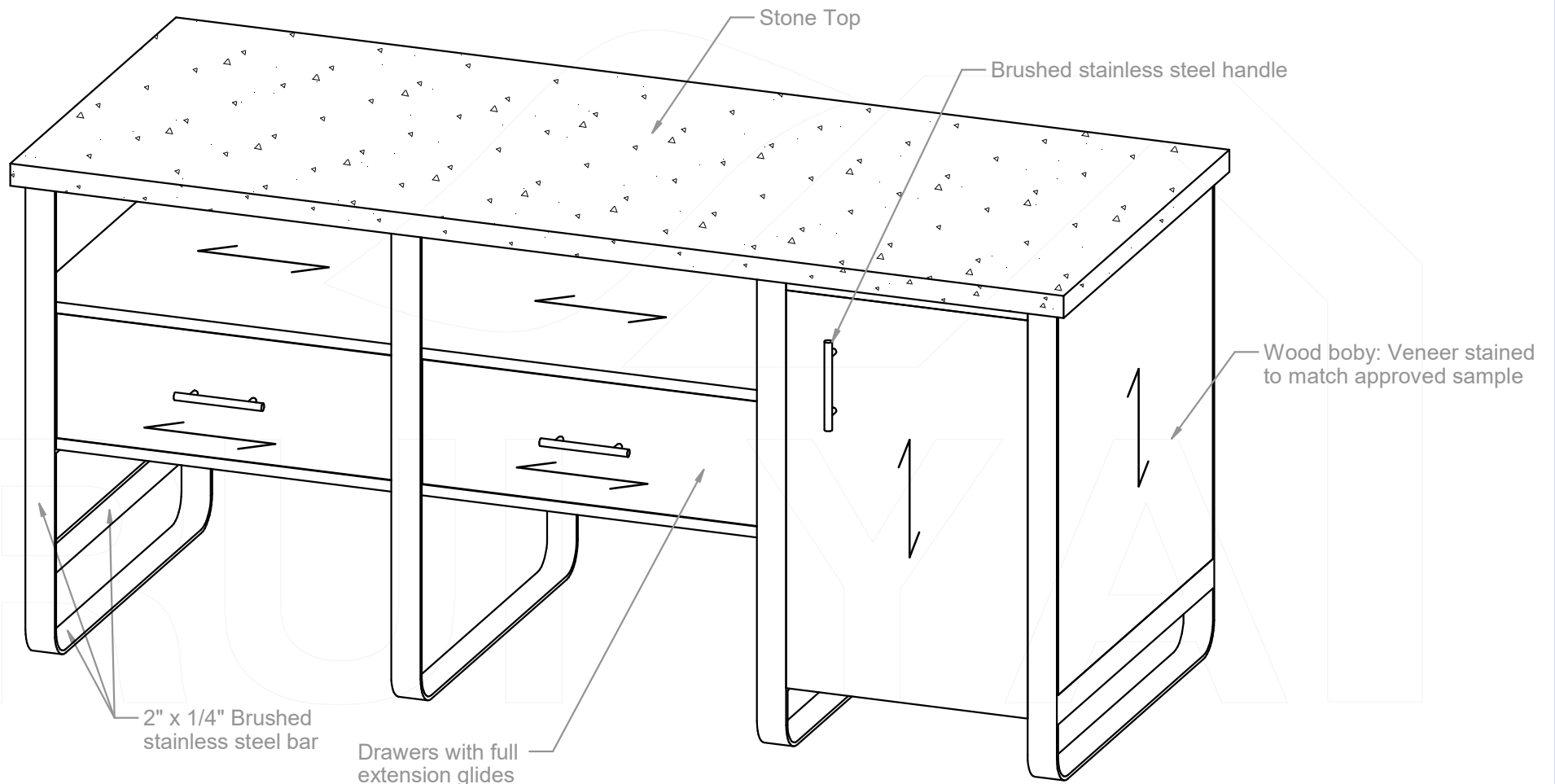
DRAWN BY: Roy Luo

DATE: 2020/9/30

SHEET: 1 OF 3

PROJECT: TH

SUPPLIER:



**ISOTRIC VIEW**



**Desk**

This engineering drawing is the property of Rui Ya Furnishing Co.,Ltd, and may not be reproduced without written permission. Unauthorized use of the information contained in this drawing is strictly forbidden.

ITEM NUMBER: TH-5001

ITEM SIZE: 72" x 30" x 34"H

MATERIAL: Metal + Wood + Stone

DRAWN BY: Roy Luo

DATE: 2020/9/30

SHEET: 2 OF 3

PROJECT: TH

SUPPLIER:



Desk

This engineering drawing is the property of Rui Ya Furnishing Co.,Ltd, and may not be reproduced without written permission. Unauthorized use of the information contained in this drawing is strictly forbidden.

ITEM NUMBER: TH-5001

ITEM SIZE: 72" x 30" x 34"H

MATERIAL: Metal + Wood + Stone

DRAWN BY: Roy Luo

DATE: 2020/9/30

SHEET: 3 OF 3

PROJECT: TH

SUPPLIER: