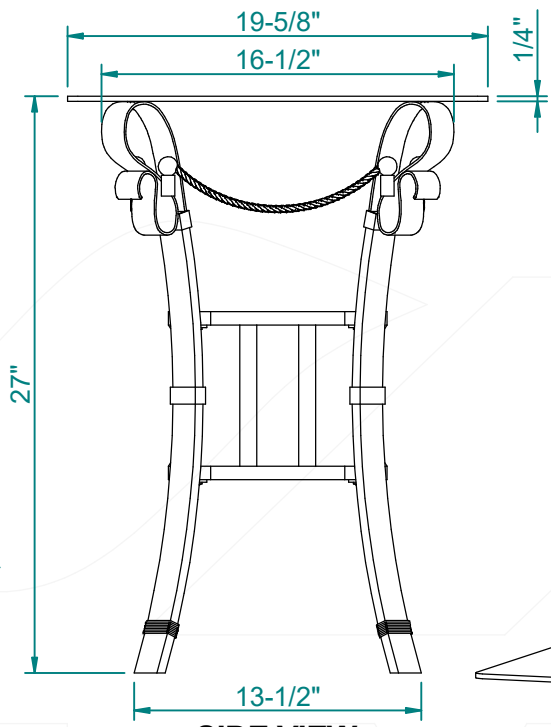
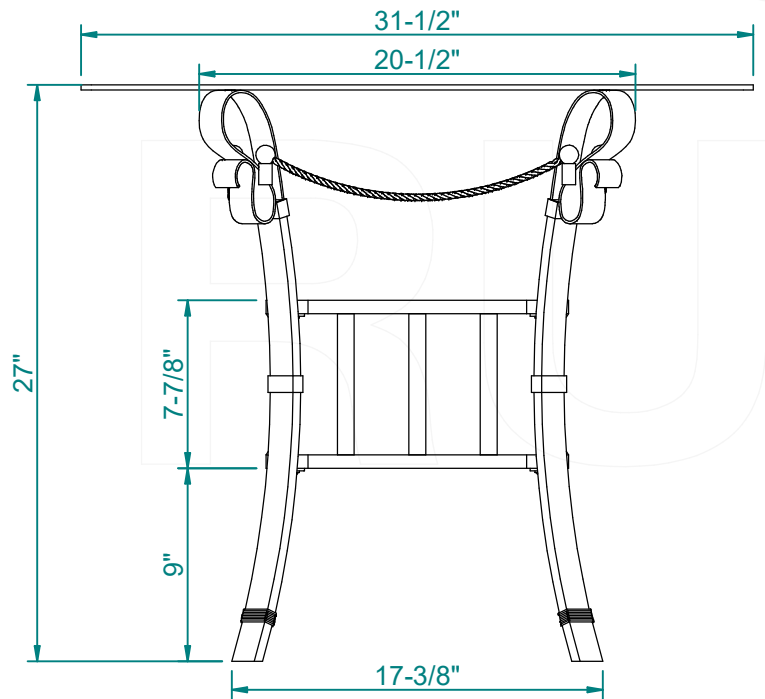


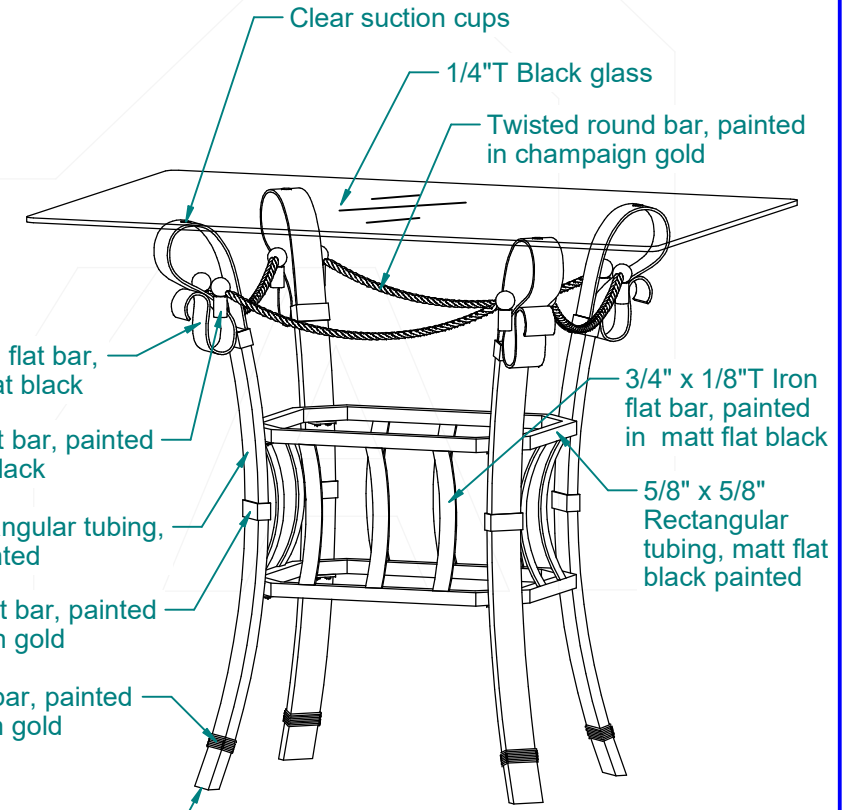
TOP VIEW



SIDE VIEW



FRONT VIEW



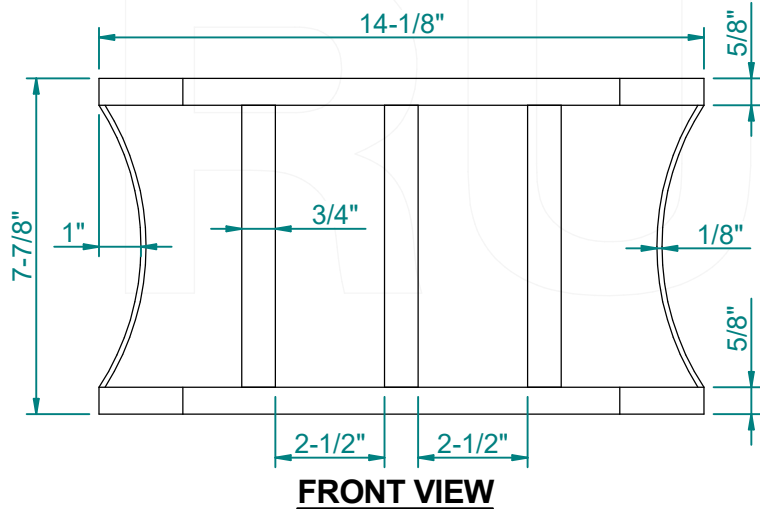
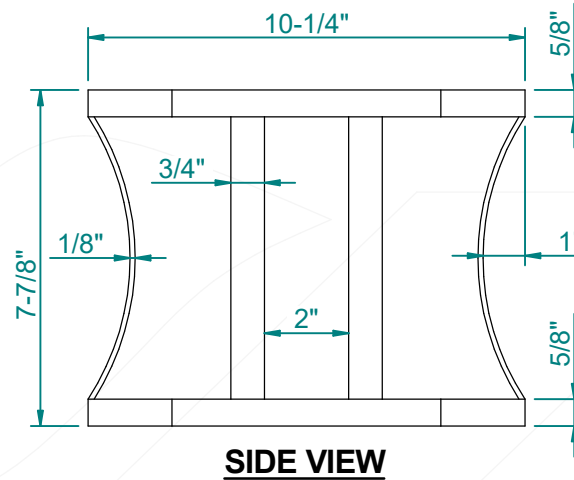
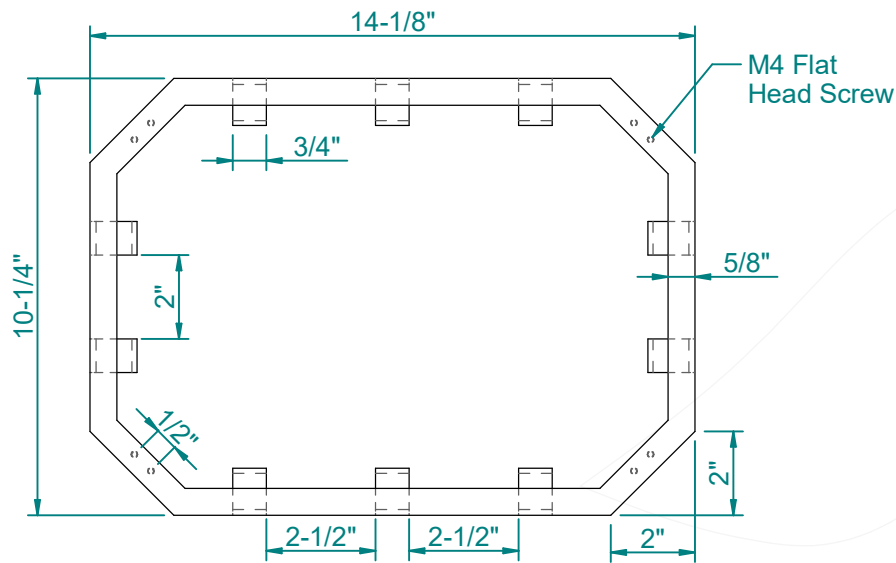
ISOMETRIC VIEW



End Table
 This engineering drawing is the property of Rui Ya Furnishing Co.,Ltd, and may not be reproduced without written permission. Unauthorized use of the information contained in this drawing is strictly forbidden.

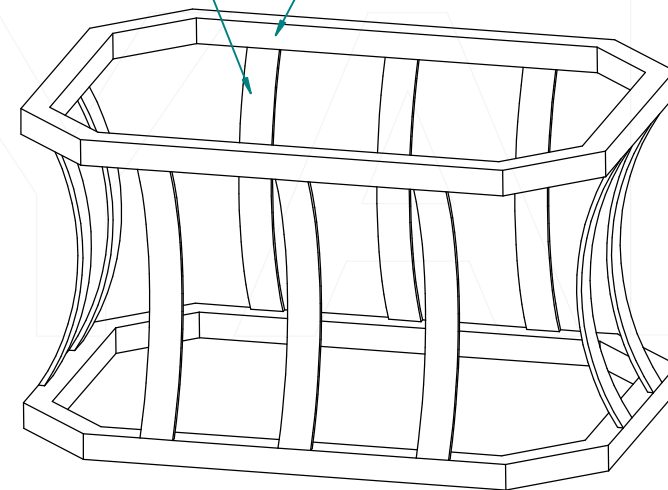
ITEM NUMBER: TH-3003
 ITEM SIZE: 31-1/2" x 19-5/8" x 27"H
 MATERIAL: Metal + Glass

DRAWN BY: Roy Luo DATE: 2020/10/11 SHEET: 1 OF 8
 PROJECT: TH
 SUPPLIER:



3/4" x 1/8" T Iron flat bar, painted in matt flat black

5/8" x 5/8" Rectangular tubing, matt flat black painted



End Table

This engineering drawing is the property of Rui Ya Furnishing Co.,Ltd, and may not be reproduced without written permission. Unauthorized use of the information contained in this drawing is strictly forbidden.

ITEM NUMBER: TH-3003

ITEM SIZE: 31-1/2" x 19-5/8" x 27"H

MATERIAL: Metal + Glass

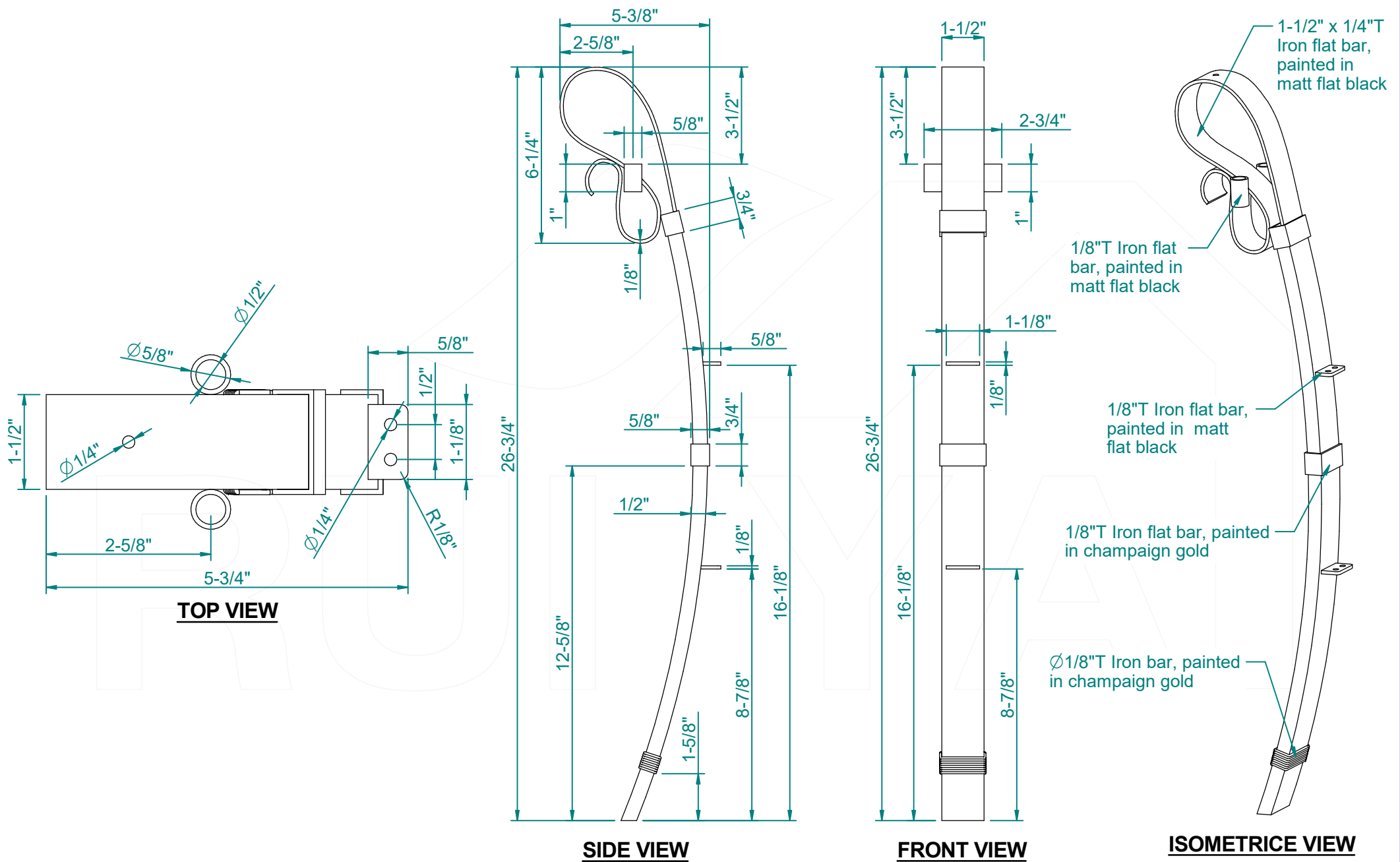
DRAWN BY: Roy Luo

DATE: 2020/10/11

SHEET: 2 OF 8

PROJECT: TH

SUPPLIER:



End Table

This engineering drawing is the property of Rui Ya Furnishing Co.,Ltd, and may not be reproduced without written permission. Unauthorized use of the information contained in this drawing is strictly forbidden.

ITEM NUMBER: TH-3003

ITEM SIZE: 31-1/2" x 19-5/8" x 27"H

MATERIAL: Metal + Glass

DRAWN BY: Roy Luo

DATE: 2020/10/11

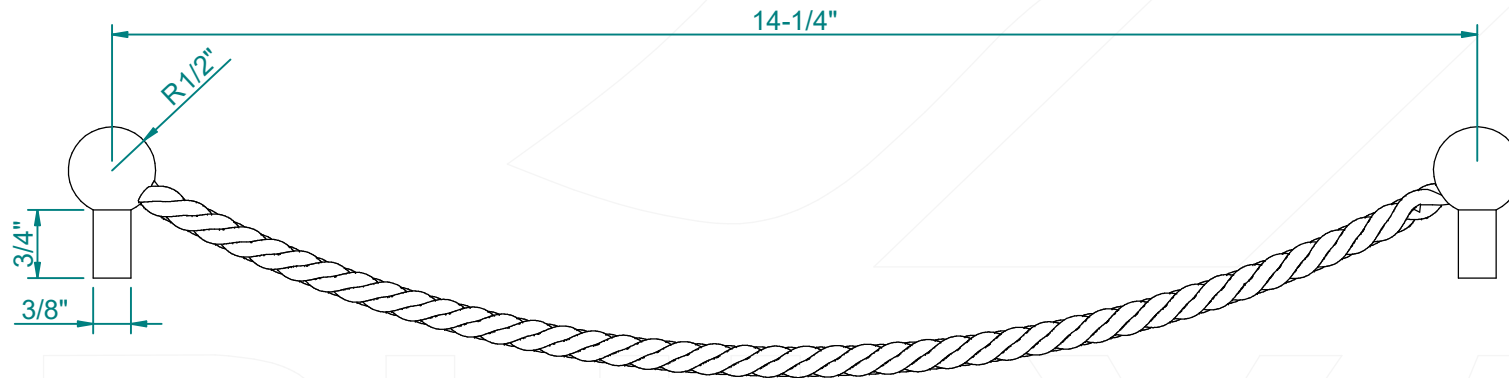
SHEET: 3 OF 8

PROJECT: TH

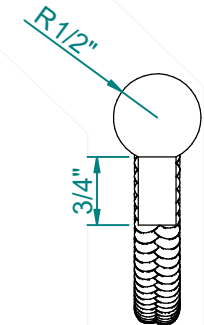
SUPPLIER:



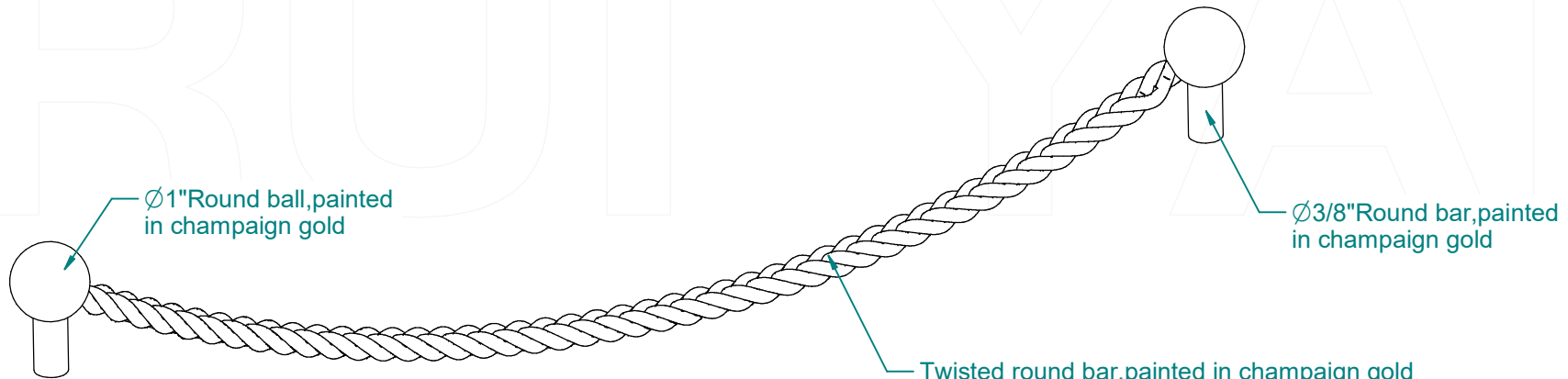
FRONT VIEW



TOP VIEW



SIDE VIEW



ISOMETRICE VIEW



End Table

This engineering drawing is the property of Rui Ya Furnishing Co.,Ltd, and may not be reproduced without written permission. Unauthorized use of the information contained in this drawing is strictly forbidden.

ITEM NUMBER: TH-3003

ITEM SIZE: 31-1/2" x 19-5/8" x 27"H

MATERIAL: Metal + Glass

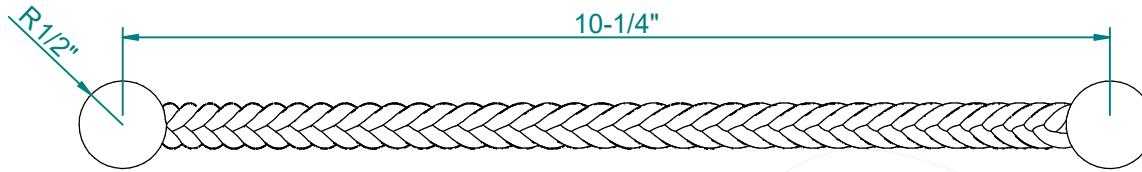
DRAWN BY: Roy Luo

DATE: 2020/10/11

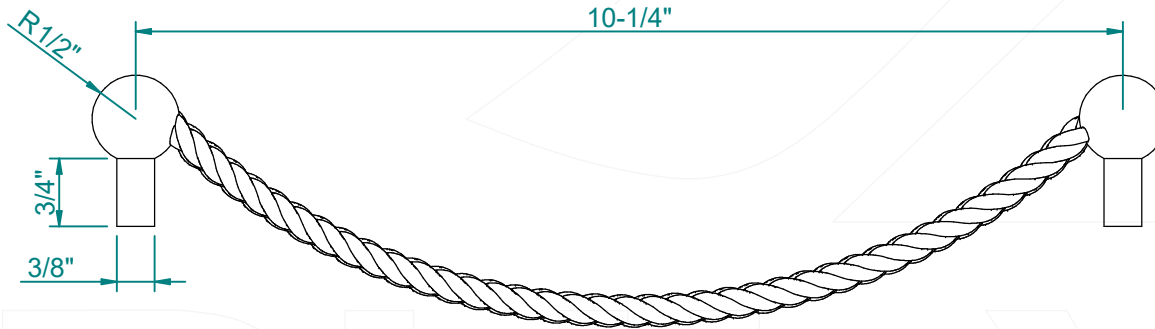
SHEET: 4 OF 8

PROJECT: TH

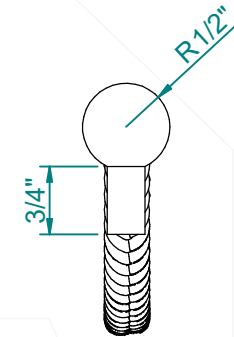
SUPPLIER:



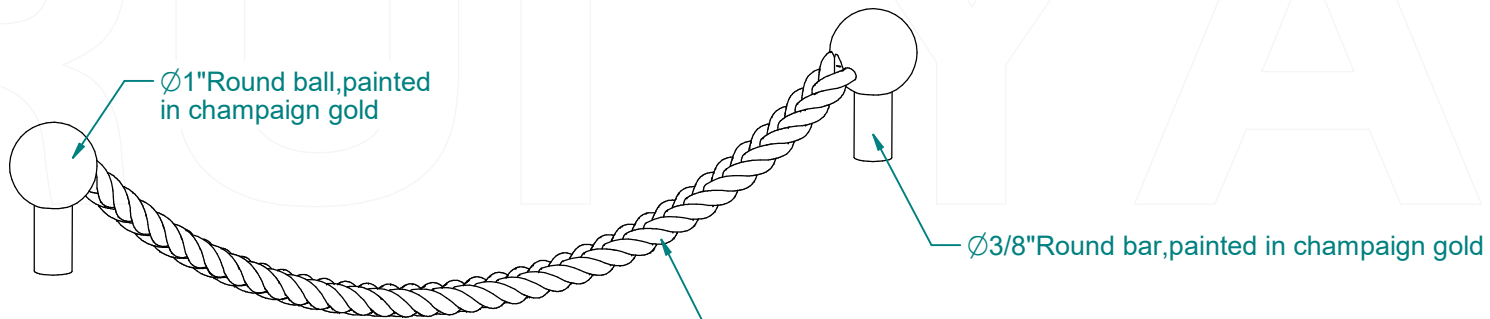
TOP VIEW



FRONT VIEW



SIDE VIEW



ISOMETRIC VIEW



End Table

This engineering drawing is the property of Rui Ya Furnishing Co.,Ltd, and may not be reproduced without written permission. Unauthorized use of the information contained in this drawing is strictly forbidden.

ITEM NUMBER: TH-3003

ITEM SIZE: 31-1/2" x 19-5/8" x 27"H

MATERIAL: Metal + Glass

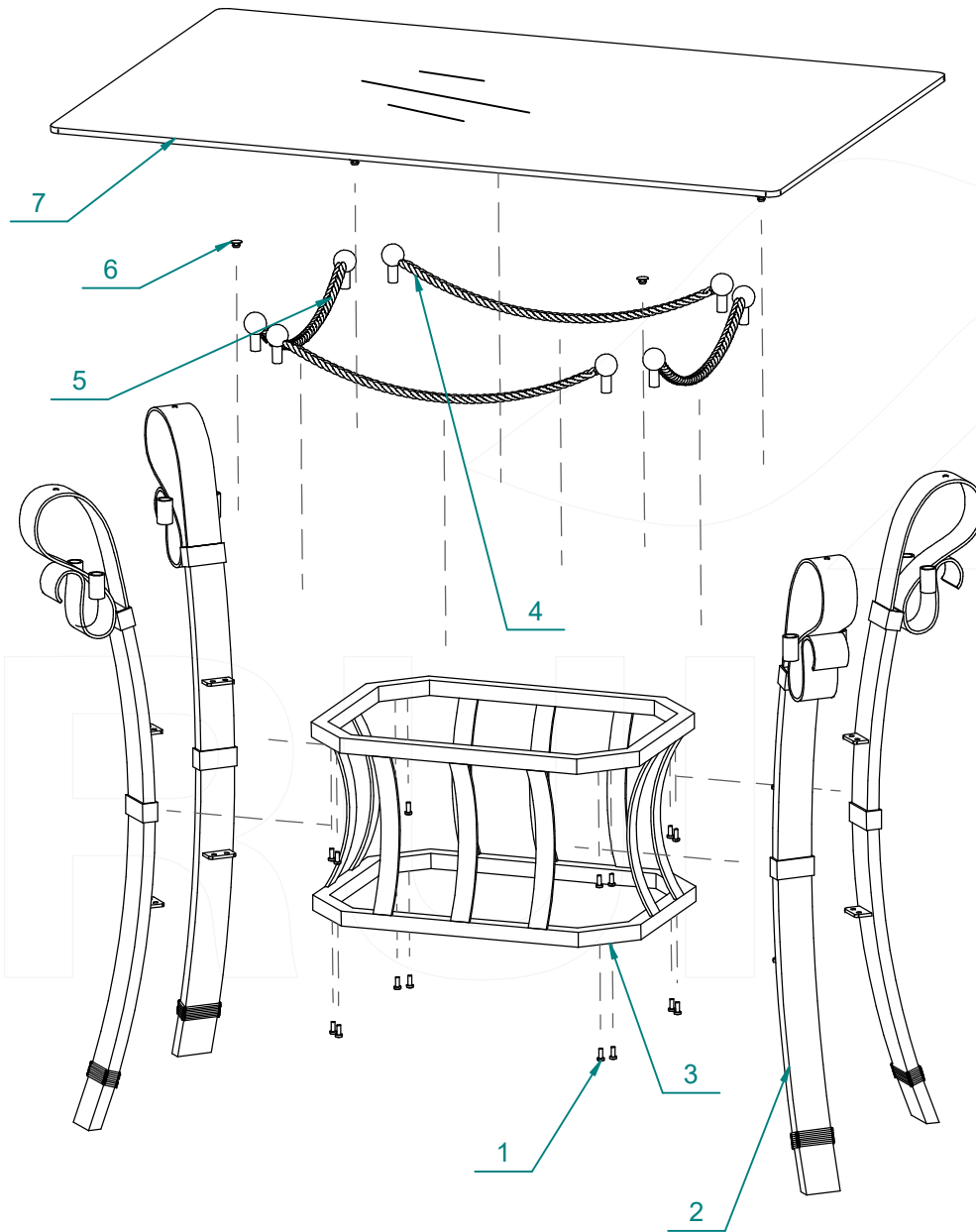
DRAWN BY: Roy Luo

DATE: 2020/10/11

SHEET: 5 OF 8

PROJECT: TH

SUPPLIER:



7	Black Glass	1
6	Clear Suction Cups	4
5	Twisted Round Bar-Short	2
4	Twisted Round Bar-Long	2
3	Frame	1
2	Leg	4
1	M4 Flat Head Screw	16
NO.	PART NAME	QTY.



End Table

This engineering drawing is the property of Rui Ya Furnishing Co.,Ltd, and may not be reproduced without written permission. Unauthorized use of the information contained in this drawing is strictly forbidden.

ITEM NUMBER: TH-3003

ITEM SIZE: 31-1/2" x 19-5/8" x 27"H

MATERIAL: Metal + Glass

DRAWN BY: Roy Luo

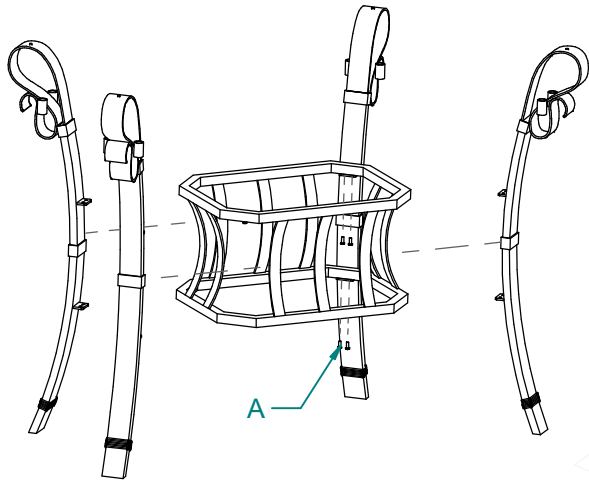
DATE: 2020/10/11

SHEET: 6 OF 8

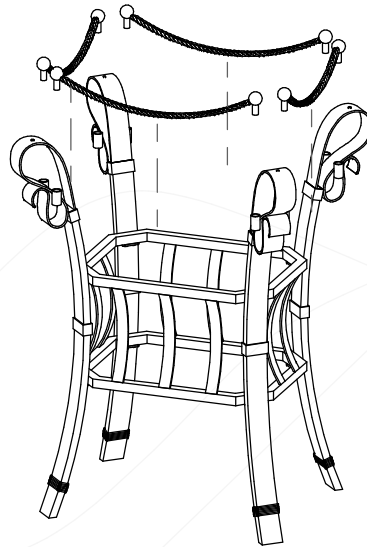
PROJECT: TH

SUPPLIER:

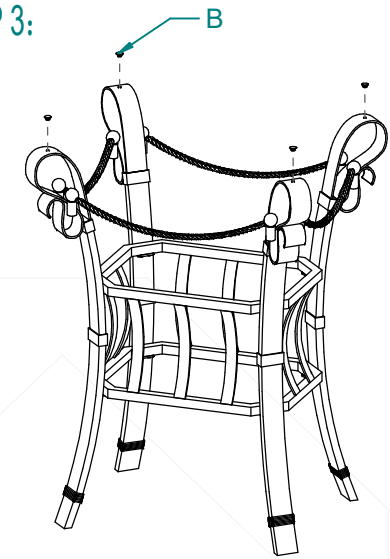
STEP 1:



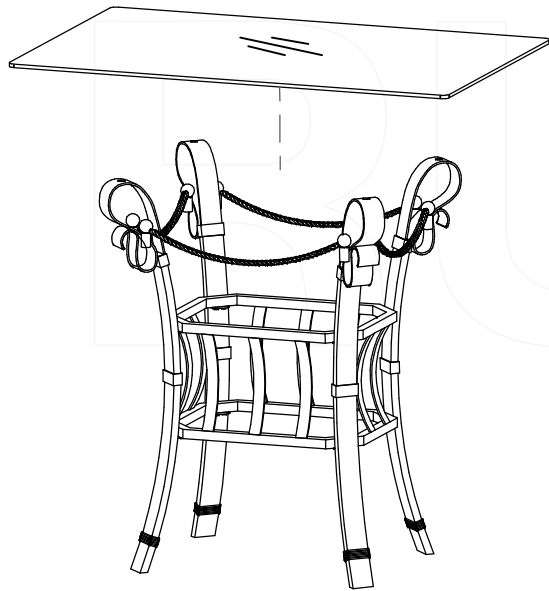
STEP 2:



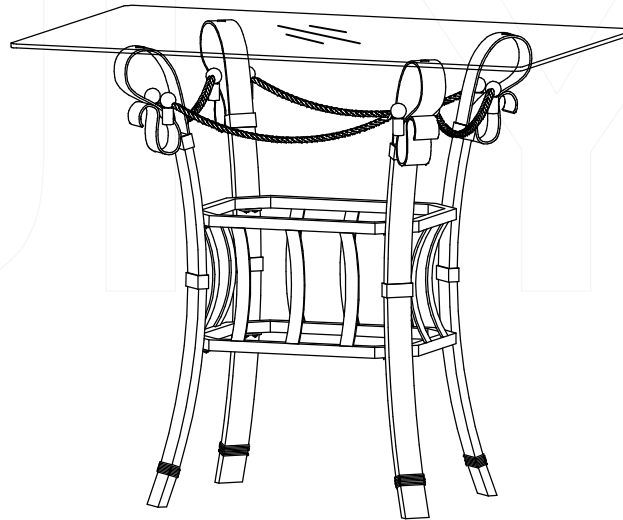
STEP 3:



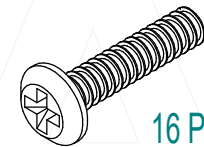
STEP 4:



STEP 5:

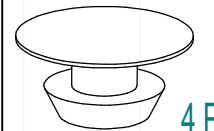


A M4 Flat Head Screw



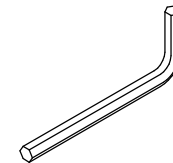
16 PCS

B Clear Suction cups



4 PCS

C Screw driver



1 PC



End Table

This engineering drawing is the property of Rui Ya Furnishing Co.,Ltd, and may not be reproduced without written permission. Unauthorized use of the information contained in this drawing is strictly forbidden.

ITEM NUMBER: TH-3003

ITEM SIZE: 31-1/2" x 19-5/8" x 27"H

MATERIAL: Metal + Glass

DRAWN BY: Roy Luo

DATE: 2020/10/11

SHEET: 7 OF 8

PROJECT: TH

SUPPLIER:



End Table

This engineering drawing is the property of Rui Ya Furnishing Co.,Ltd, and may not be reproduced without written permission. Unauthorized use of the information contained in this drawing is strictly forbidden.

ITEM NUMBER: TH-3003

ITEM SIZE: 31-1/2" x 19-5/8" x 27"H

MATERIAL: Metal + Glass

DRAWN BY: Roy Luo DATE: 2020/10/11 SHEET: 8 OF 8

PROJECT: TH

SUPPLIER: